

## CONNECTS TO YOUR EXISTING DIGGA AUGER DRIVE

### Cement Mixer

Digga Cement Mixer can mix anything from cement to fertilizer, it fits quickly and easily to your Digga Auger Drive (Auger Drive sold separately)

#### Features:

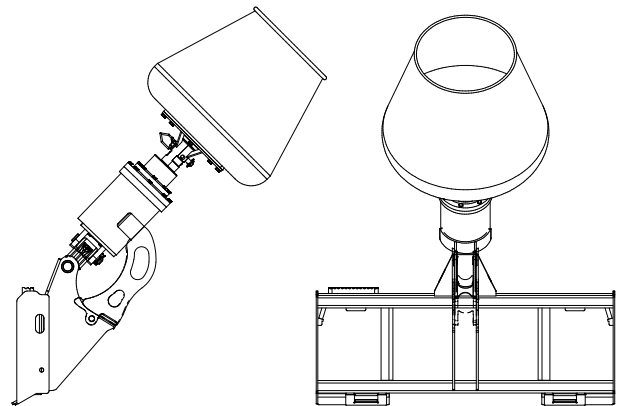
- Easy Connection. Simply pin cradle to existing auger frame and add mixer bowl. Change from drilling to mixing in under 2 minutes.
- Cement mixing attachment to suits Digga auger drives and frames only. Also available for mini machines.
- Maintenance free.
- Manufactured from quality materials.

#### Ideal Use:

Mixing cement, mulch, animal feed, fertilizer.

#### Machine Suitability:

Skid Steer Loaders, Front End Loaders and Tele-Handlers.



Specifications	Small	Large
Total Capacity <sup>^</sup>	3.9 Cu ft / 29gal	5.7 Cu ft / 42gal
Operating Capacity *	2.5 Cu ft / 18.5gal	4 Cu ft / 30gal
Length (A)	51in	58in
Width (B)	48in	48in
Height (C)	58in	62in
Width (D) Bowl Only	23in	29in
Weight Complete with 2DSS & Frame	348lbs	381lbs
Weight (Bowl & Cradle Only)	84lbs	117lbs

(\* ) Maximum operating capacity is measured at an operating angle of 45 degrees.

(<sup>^</sup>) An upright position depicts total capacity.