

# ANCHOR DRIVES

## XTREME DRIVE

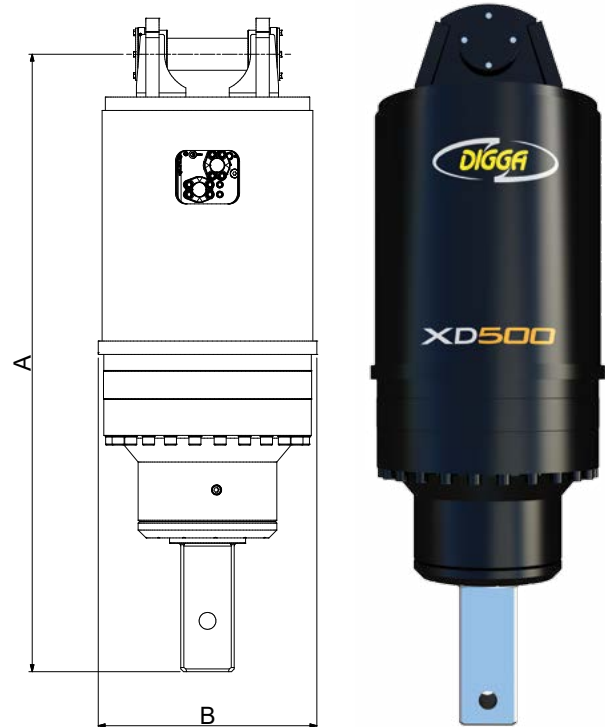
### 50 - 80T (190,000lbs - 360,000 ft-lbs)



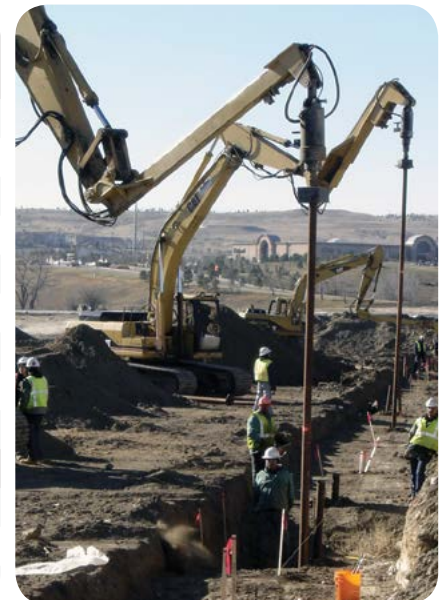
Developed in conjunction with the leading screw anchor/pile installers around the world, these are the only true anchor drives available - Designed and manufactured specifically for the rigours of the application. The host machine operates within the most efficient HP range, minimizing wear and tear as well as optimizing performance & returns.

#### FEATURES

- Highest volumetrically efficient motor available ensures consistent and efficient pile installation throughout the working day
- Compact high quality Digga made gearbox
- Built-in PRV (Pressure Relief Valve) standard
- ECV (Energy Control relief Valve) to prevent rapid decompression of oil caused by the reverse energy created by pile kick-back
- Engineered hood & ears for maximum strength
- Extreme duty shaft locking system
- No complex hoses, valving or filtration
- 1yr Gearbox & 1yr Motor Warranty



	XTREME DRIVES			
MODEL	XD 270	XD 310	XD 410	XD 500
Nominal Torque (ft-lbs)	192,755	226,025	295,734	356,465
Max Flow (Gpm)	100 GPM @ 3,500 PSI			
Maximum Pressure - Do Not Exceed	3,500 PSI @100 GPM			
Maximum Horse Power	201	201	201	201
Motor Type	Radial Piston	Radial Piston	Radial Piston	Radial Piston
Pressure Relief Valve	Included	Included	Included	Included
Energy Control Valve	Included	Included	Included	Included
Standard Output Shaft	200mm Square	200mm Square	200mm Square	200mm Square
Weight (lbs)	6345	6345	6345	6345
Overall Length (in)	95	95	95	95
Diameter (in)	32.3	32.3	32.3	32.3



# ANCHOR DRIVES XTREME DRIVE 50 - 80T (190,000lbs - 360,000 ft-lbs)



## OUTPUT TORQUE

PSI	XD 270		XD 310		XD 410		XD 500	
	HI TORQUE LOW SPD	LO TORQUE HIGH SPD	HI TORQUE LOW SPD	LO TORQUE HIGH SPD	HI TORQUE LOW SPD	LO TORQUE HIGH SPD	HI TORQUE LOW SPD	LO TORQUE HIGH SPD
700	38,551	19,276	45,205	22,603	59,147	29,573	71,293	35,646
800	44,058	22,029	51,663	25,831	67,596	33,798	81,478	40,739
900	49,566	24,783	58,121	29,060	76,046	38,023	91,662	45,831
1,000	55,073	27,536	64,579	32,289	84,495	42,248	101,847	50,924
1,100	60,580	30,290	71,036	35,518	92,945	46,472	112,032	56,016
1,200	66,087	33,044	77,494	38,747	101,394	50,697	122,217	61,108
1,300	71,595	35,797	83,952	41,976	109,844	54,922	132,401	66,201
1,400	77,102	38,551	90,410	45,205	118,294	59,147	142,586	71,293
1,500	82,609	41,305	96,868	48,434	126,743	63,372	152,771	76,385
1,600	88,117	44,058	103,326	51,663	135,193	67,596	162,955	81,478
1,700	93,624	46,812	109,784	54,892	143,642	71,821	173,140	86,570
1,800	99,131	49,566	116,242	58,121	152,092	76,046	183,325	91,662
1,900	104,638	52,319	122,699	61,350	160,541	80,271	193,510	96,755
2,000	110,146	55,073	129,157	64,579	168,991	84,495	203,694	101,847
2,100	115,653	57,827	135,615	67,808	177,440	88,720	213,879	106,939
2,200	121,160	60,580	142,073	71,036	185,890	92,945	224,064	112,032
2,300	126,668	63,334	148,531	74,265	194,339	97,170	234,248	117,124
2,400	132,175	66,087	154,989	77,494	202,789	101,394	244,433	122,217
2,500	137,682	68,841	161,447	80,723	211,238	105,619	254,618	127,309
2,600	143,190	71,595	167,904	83,952	219,688	109,844	264,803	132,401
2,700	148,697	74,348	174,362	87,181	228,138	114,069	274,987	137,494
2,800	154,204	77,102	180,820	90,410	236,587	118,294	285,172	142,586
2,900	159,711	79,856	187,278	93,639	245,037	122,518	295,357	147,678
3,000	165,219	82,609	193,736	96,868	253,486	126,743	305,541	152,771
3,100	170,726	85,363	200,194	100,097	261,936	130,968	315,726	157,863
3,200	176,233	88,117	206,652	103,326	270,385	135,193	325,911	162,955
3,300	181,741	90,870	213,109	106,555	278,835	139,417	336,096	168,048
3,500	192,755	96,378	226,025	113,013	295,734	147,867	356,465	178,232

Output speed and torque specifications are THEORETICAL. Speed and torque output are dependent on the overall system efficiencies associated with the prime movers hydraulic system. This document should be used for information and comparative purposes only. When determining criteria, & application specific information is required, please contact DIGGA.

# ANCHOR DRIVES

## XTREME DRIVE

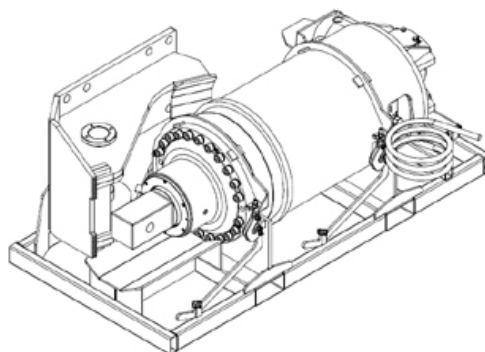
### 50 - 80T (190,000lbs - 360,000 ft-lbs)



#### OUTPUT SPEED

PSI	XD 270		XD 310		XD 410		XD 500	
	HI TORQUE LOW SPD	LO TORQUE HIGH SPD	HI TORQUE LOW SPD	LO TORQUE HIGH SPD	HI TORQUE LOW SPD	LO TORQUE HIGH SPD	HI TORQUE LOW SPD	LO TORQUE HIGH SPD
8	0	1	0	1	0	1	0	0
12	1	1	1	1	0	1	0	1
16	1	2	1	2	1	1	0	1
20	1	2	1	2	1	1	1	1
24	1	3	1	2	1	2	1	1
28	2	3	1	3	1	2	1	2
32	2	4	2	3	1	2	1	2
36	2	4	2	3	1	3	1	2
40	2	4	2	4	1	3	1	2
44	2	5	2	4	2	3	1	3
48	3	5	2	5	2	3	1	3
52	3	6	2	5	2	4	2	3
56	3	6	3	5	2	4	2	3
60	3	7	3	6	2	4	2	4
64	4	7	3	6	2	5	2	4
68	4	8	3	6	2	5	2	4
72	4	8	3	7	3	5	2	4
76	4	8	4	7	3	6	2	5
80	4	9	4	8	3	6	2	5
84	5	9	4	8	3	6	3	5
88	5	10	4	8	3	6	3	5
92	5	10	4	9	3	7	3	6
96	5	11	5	9	3	7	3	6
100	6	11	5	9	4	7	3	6

**Safe & Secure optional  
storage & transport  
cradles available**



Output speed and torque specifications are THEORETICAL. Speed and torque output are dependent on the overall system efficiencies associated with the prime movers hydraulic system. This document should be used for information and comparative purposes only. When determining criteria, & application specific information is required, please contact DIGGA.